

PLANSXPRESS™ TUTORIAL HOUSE PLANS

Diagram A: A1 Layout

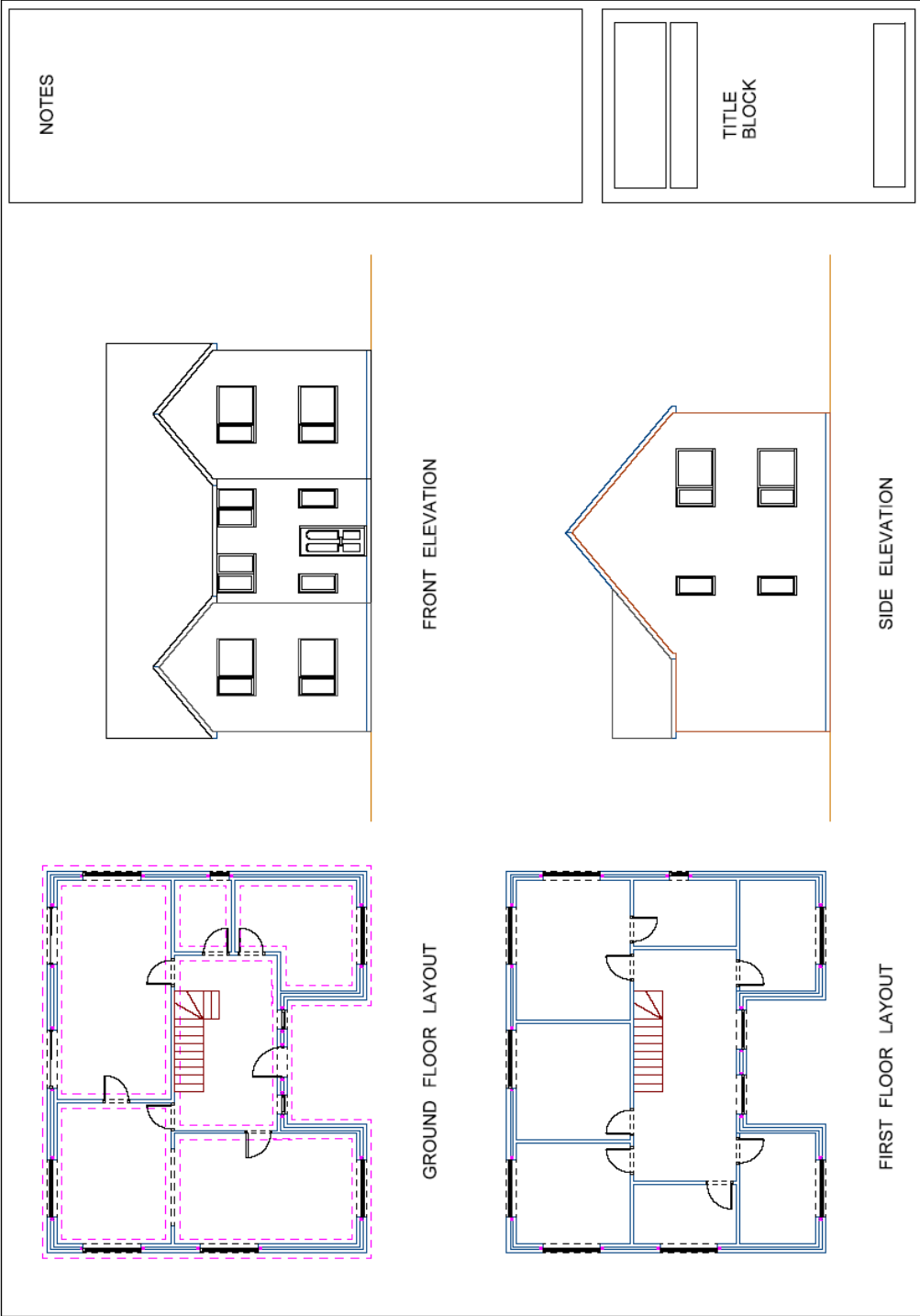


Diagram B: Ground Floor Layout

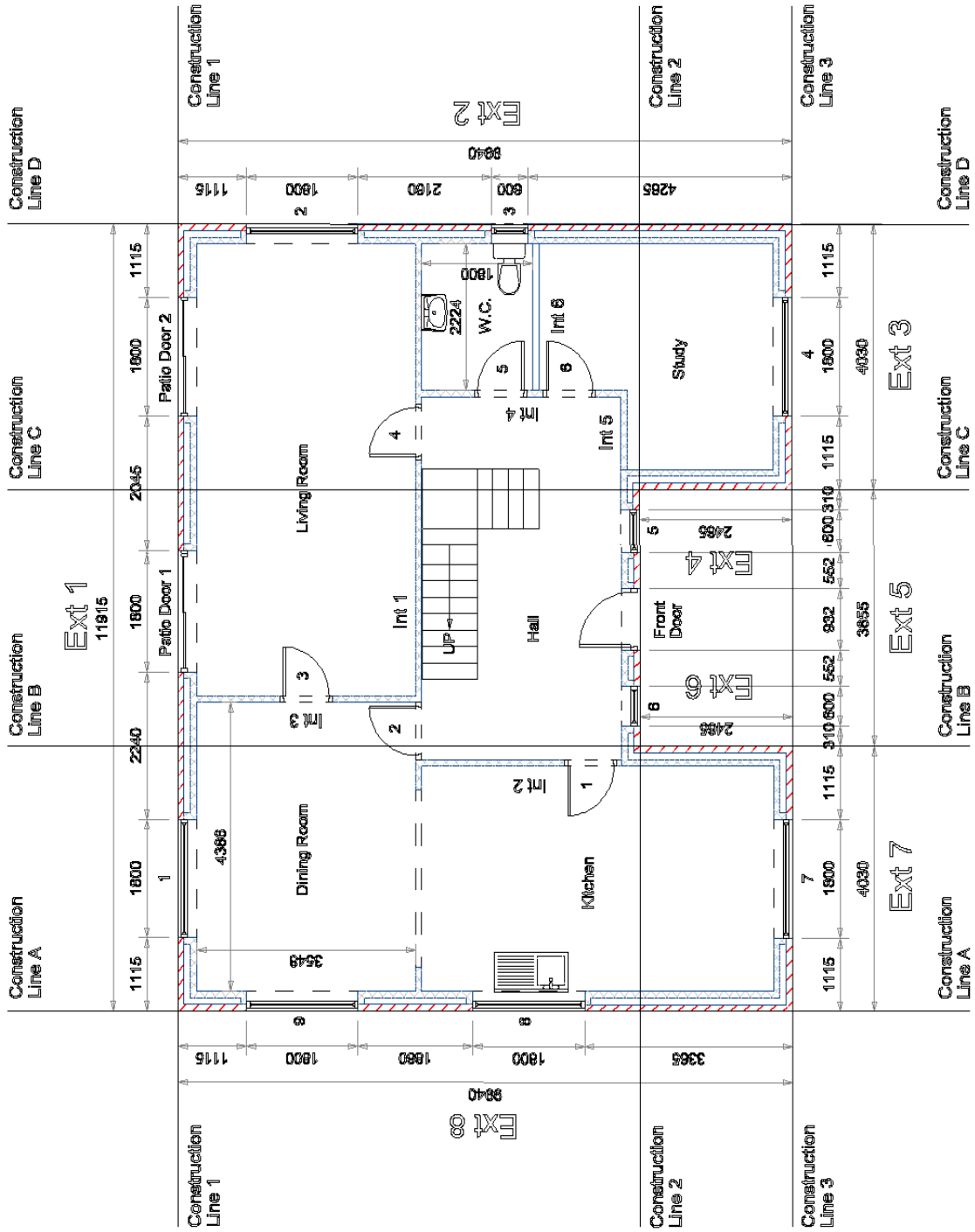


Diagram C: First Floor Layout

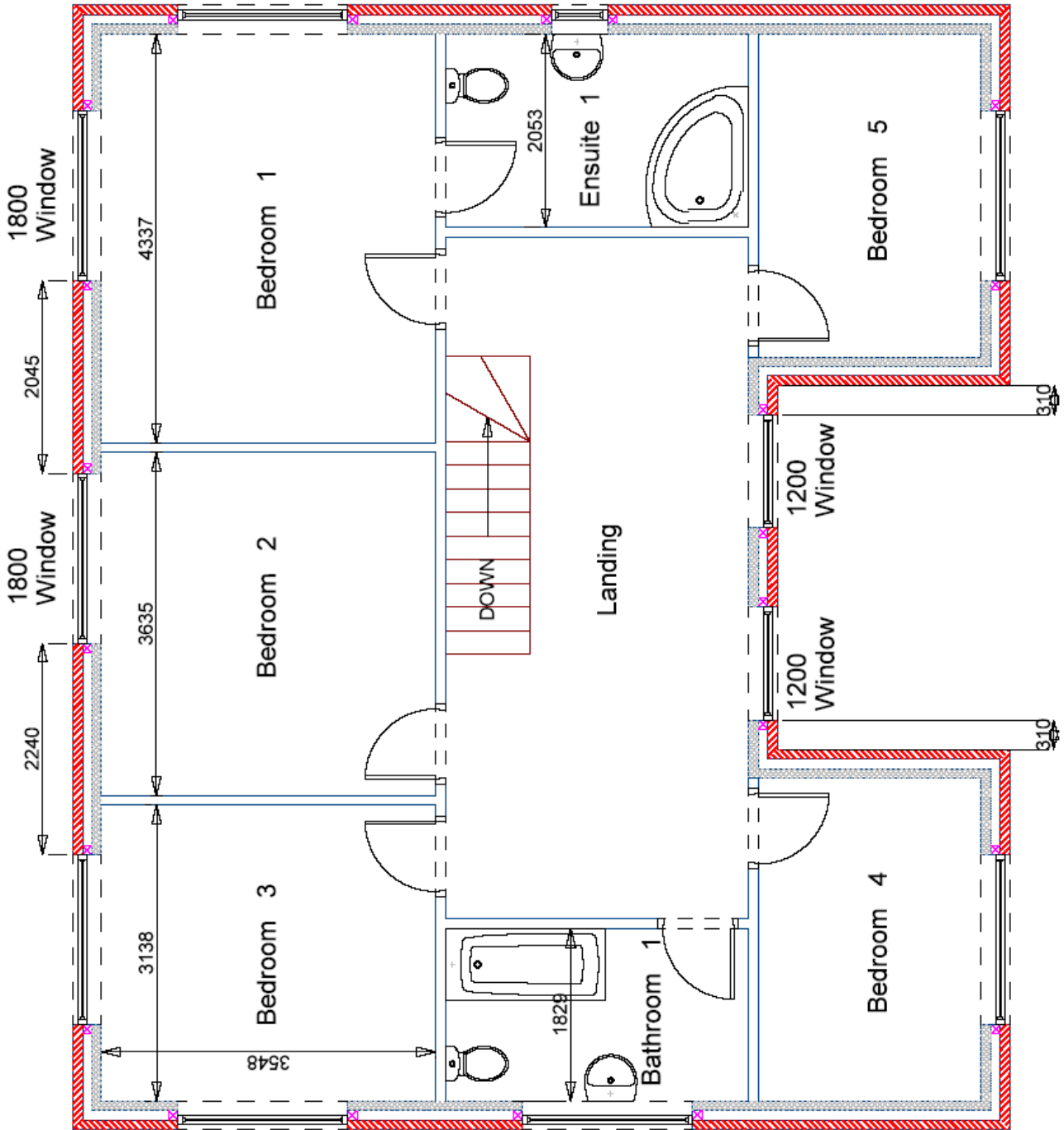


Diagram D: Suspended Floor Layout

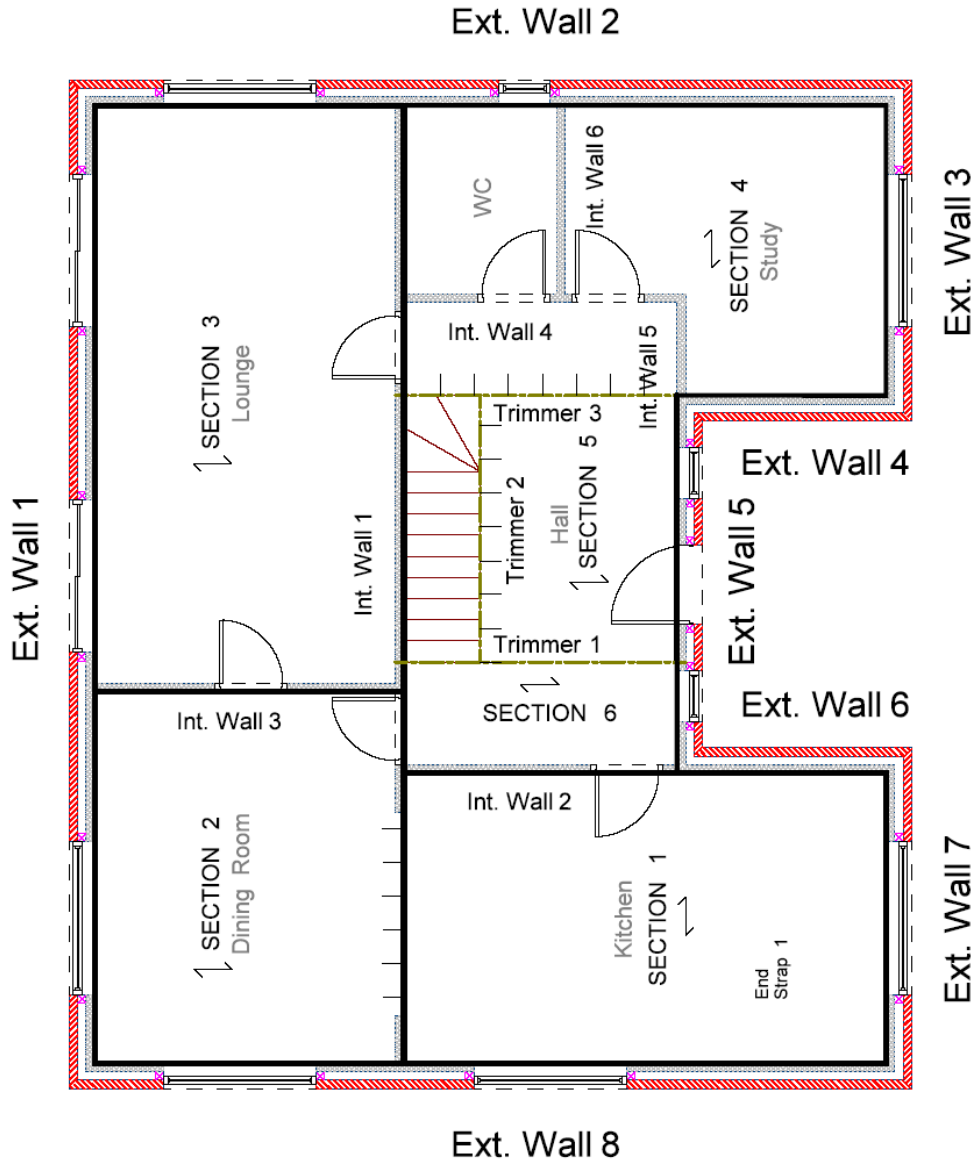
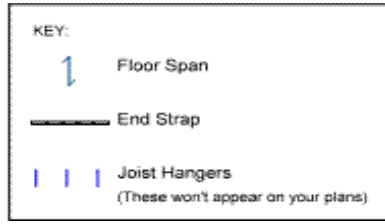


Diagram E: House Slab Layout

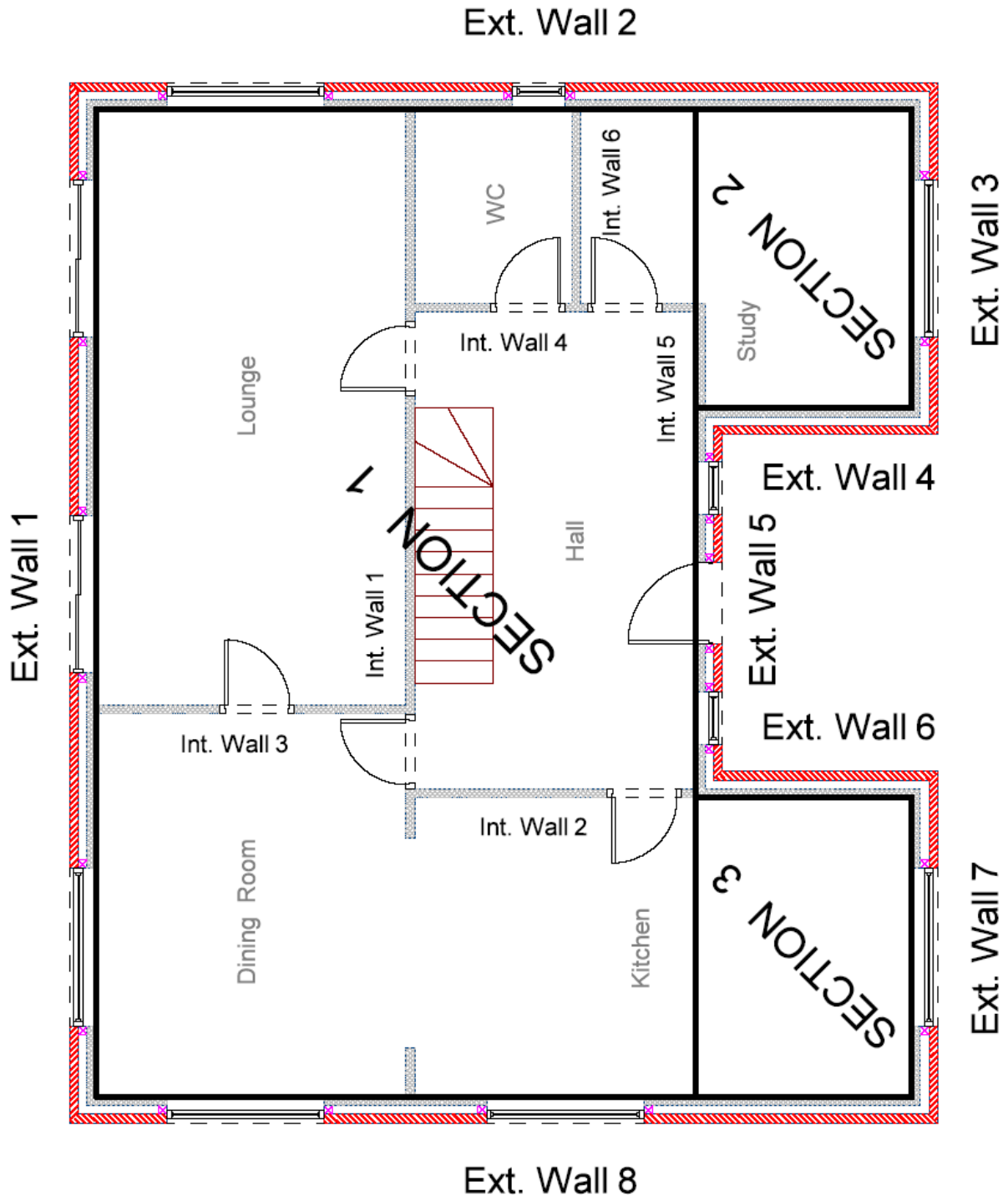


Diagram F: Roof Plan

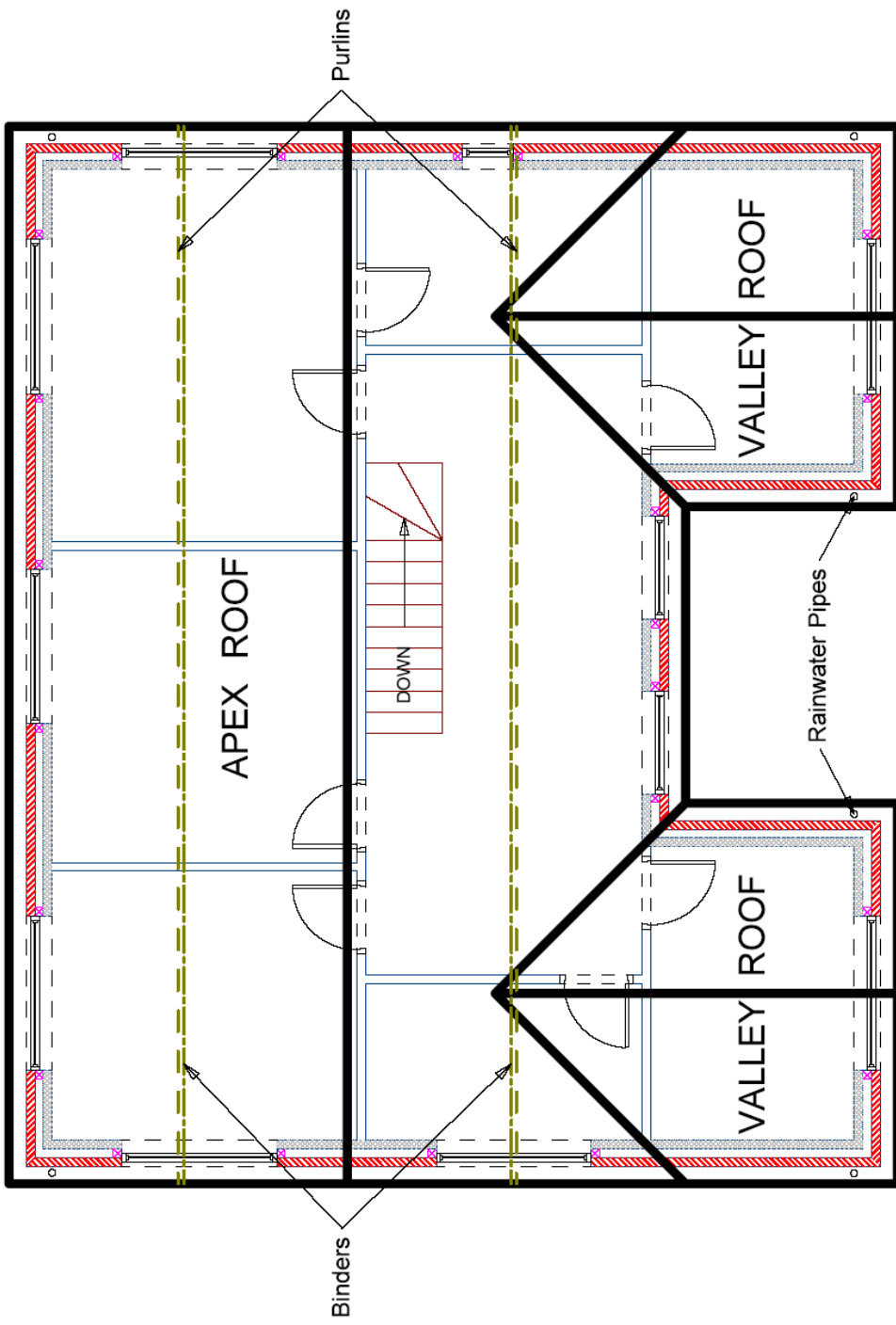


Diagram G: Drainage Layout

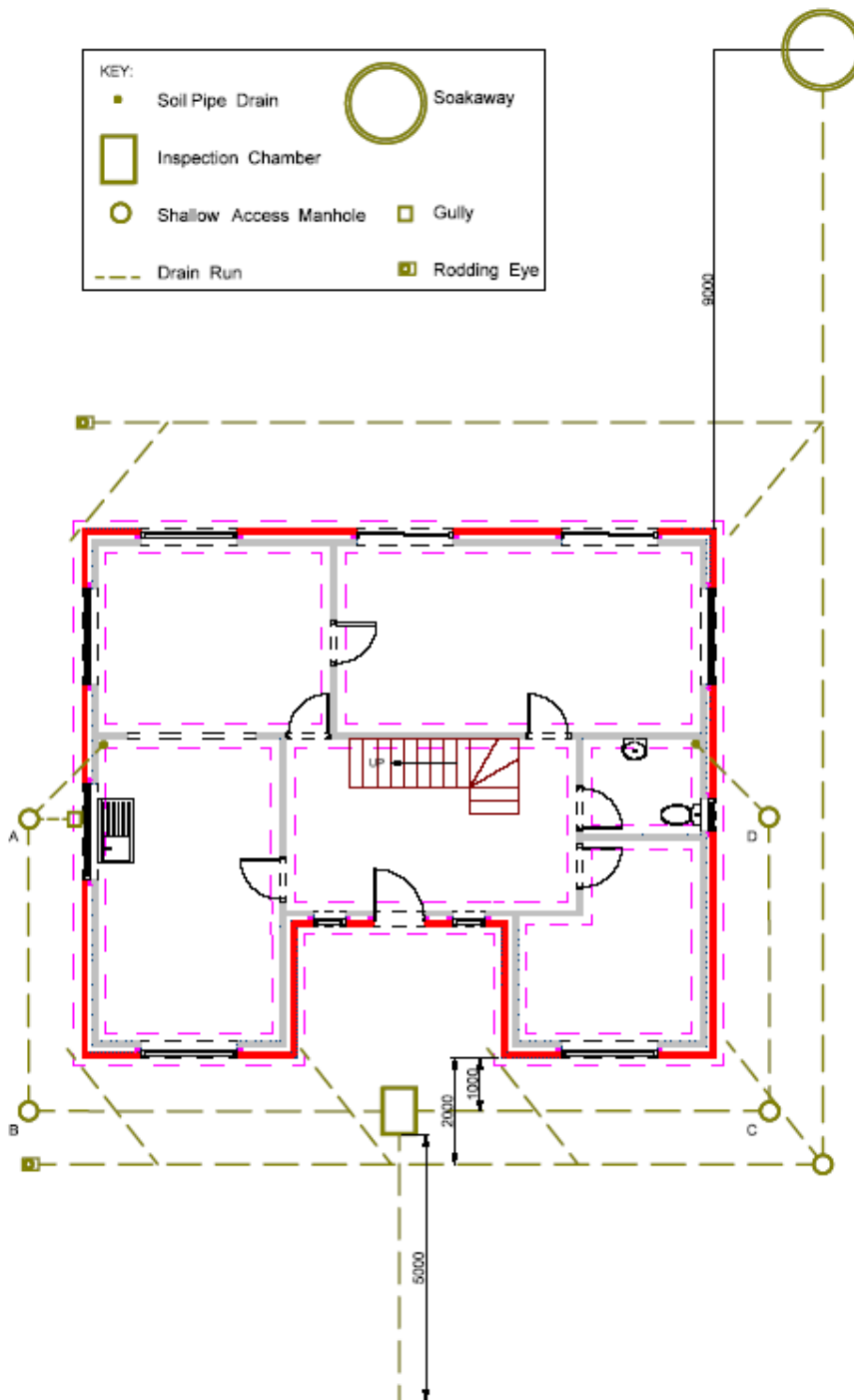


Diagram H: A1 Loft Layout

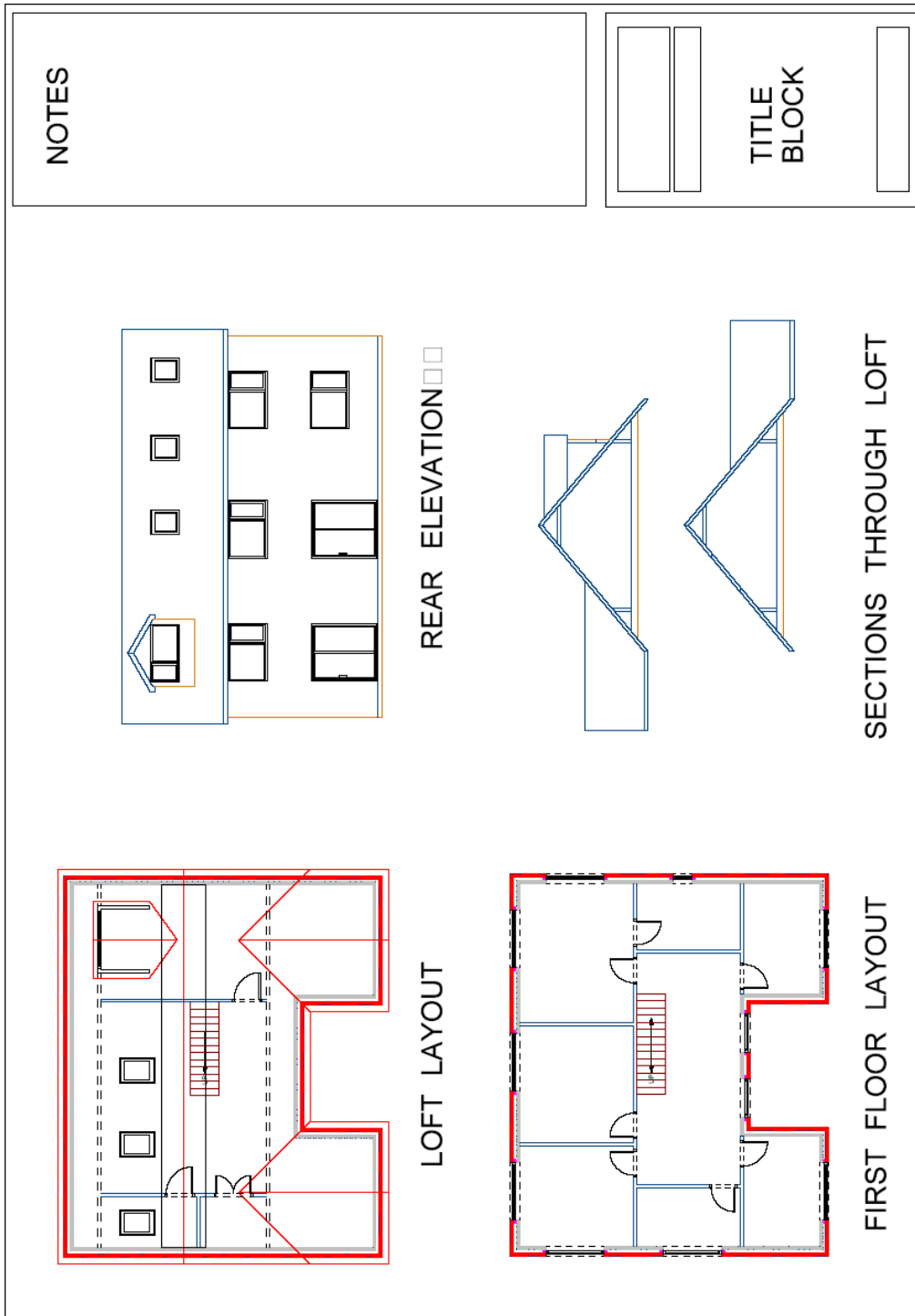


Diagram I: Loft Layout

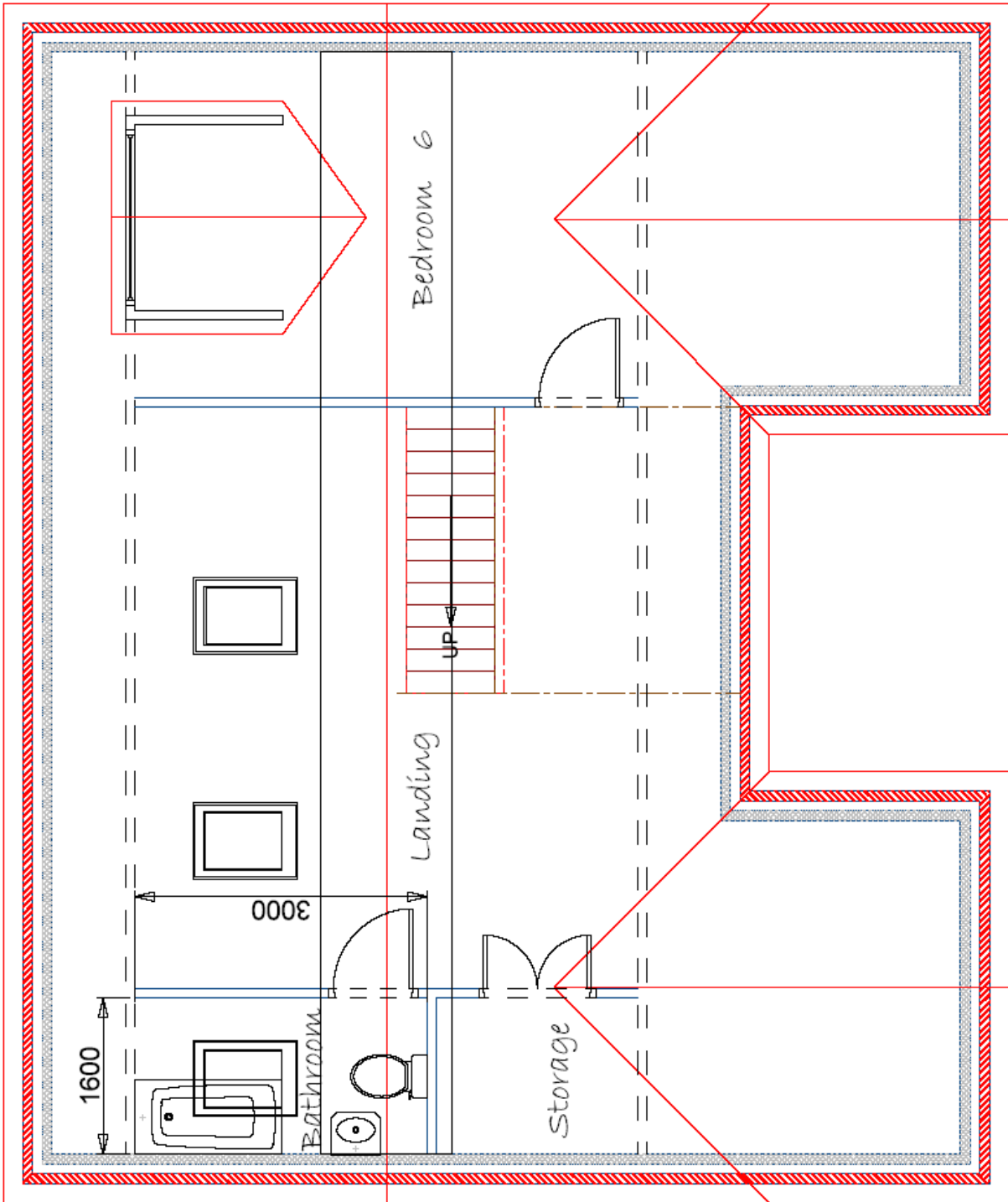


Diagram J: First Floor Layout

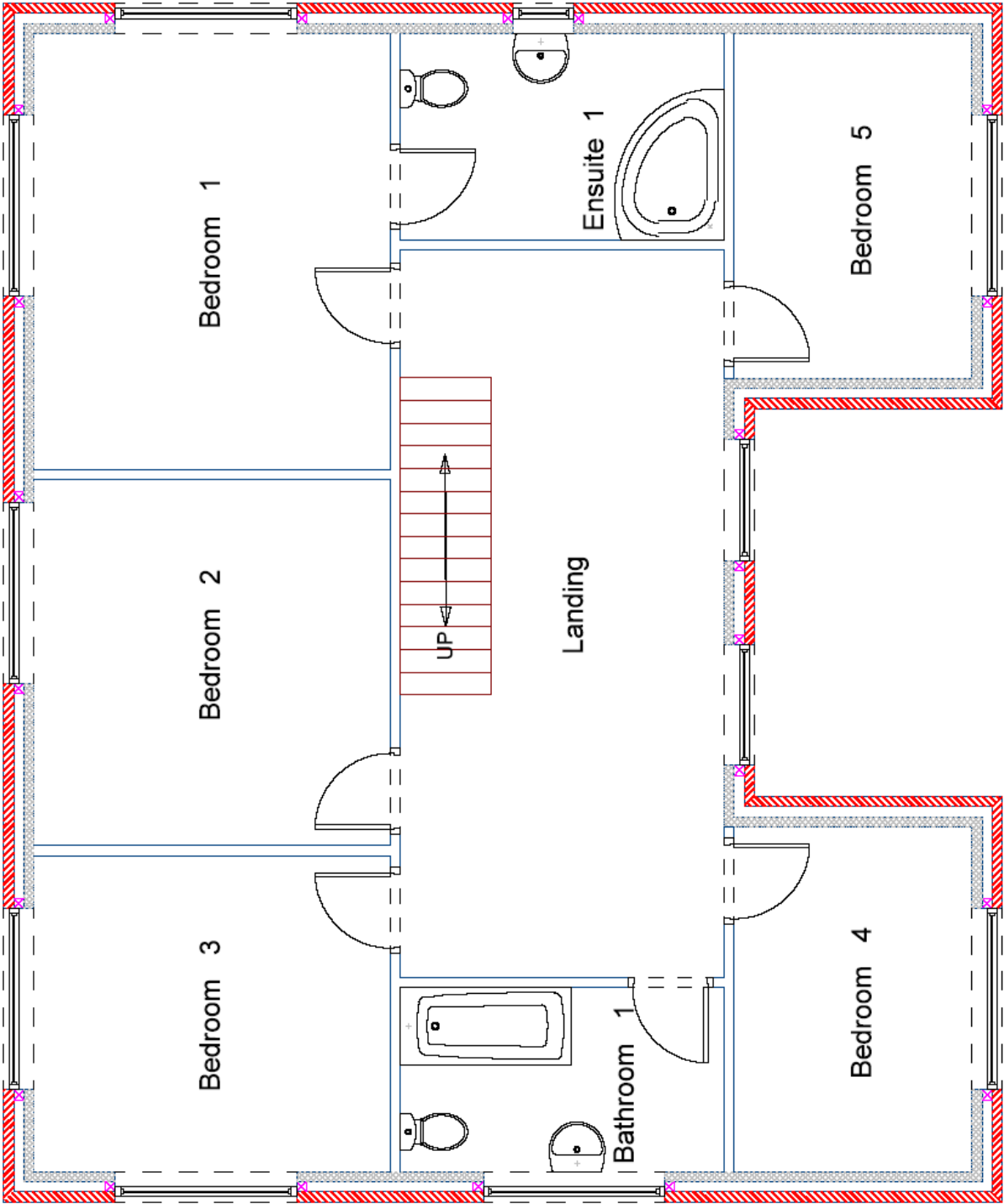
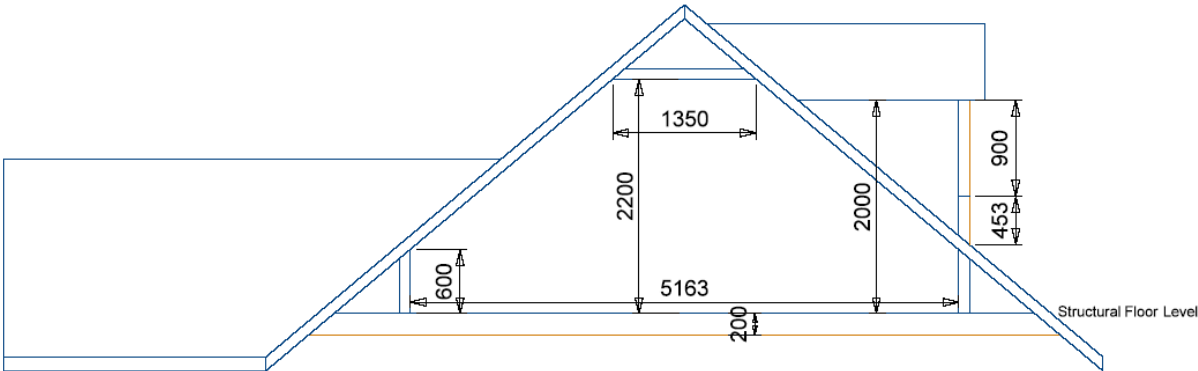
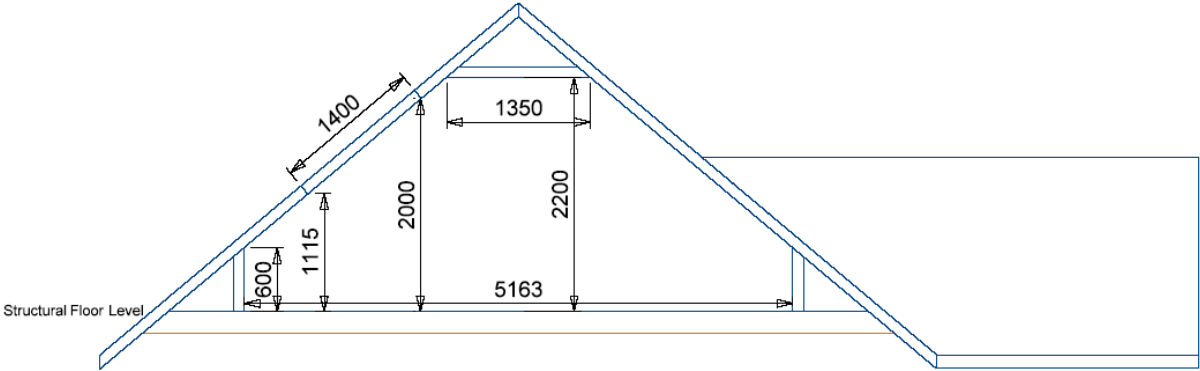


Diagram K: Structural View of Loft



Section Through Loft Side 1



Section Through Loft Side 2

Diagram L: Attic Suspended Floor Layout

